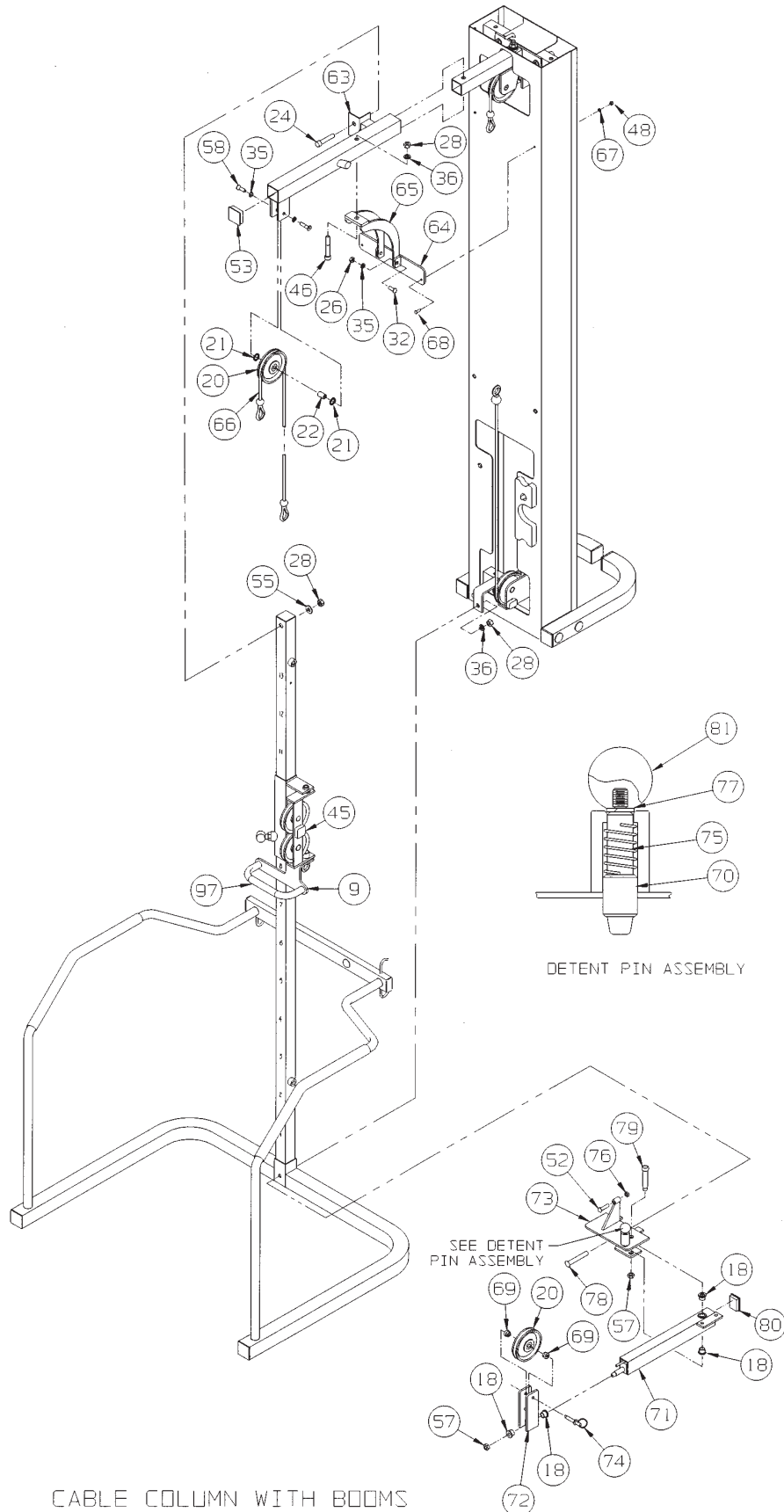


# CABLE COLUMN

5315 (WITHOUT BOOMS) AND 5316 (WITH BOOMS)

ASSEMBLY & PARTS



## 5315 - Cable Column without Booms & 5316 - Cable Column with Booms

ITEM	QTY	PART NO.	DESCRIPTION
1	2	01755	Long Guide Rod Collet
2	2	01694	Corner Bracket
3	1	4108Y057	Black RLD Number Decal
4	2	01141	Weight Spacer 5.00
5	1	01142	Pulley Mount Cap
6	1	01143	Pulley Mount
7	1	01144	Upper Pulley Bracket
8	1	01155	Pivot Tube
9	1	5315-307	Ballet Bar
10	2	5310M035	Weight Stack Guide Rod
11	1	5310C029	Cover
12	1	5315-203	Adjusting Tube
13	1	5315-202	Ballet Bar Bracket
14	1	01150	Pulley Bracket
15	1	5315P011	Adjusting Tube
16	1	5315S028	Cable Subassembly
17	2	PR060005	Weight Bumper
18	8	FB050219	Flange Bearing .62 x .75 x .50 L
19	2	FB050222	Flange Bearing .75 x .88 x .75 L
20	8	GP000000	Pulley Assembly 4.50
21	16	GP000004	Pulley Spacer
22	8	GP000203	Pulley Center
23	1	GP000204	Pulley Assembly 3.00
24	8	JC782830	SHCS .50-13 x 2.50
25	6	HC782817	SHCS .50-13 x 1.00 (BL Oxide)
26	4	HN704000	Hex Nut .375-16
27	2	HN705618	Nut-Eye Socket
28	16	HN784000	Hex Nut .500-13
29	4	HT582210	Tap Screw #10-32 x .375 F
30	10	JC700914	FHSCS .375-16 x .62
31			Removed
32	4	HC700417	BHSCS .375-16 x 1.00
33	4	JC780417	BHSCS .50-13 x 1.00
34	5	JS407100	Machinery Bushing .625
35	4	HS348300	Split Lockwasher .375
36	14	JS388300	Split Lockwasher .50
37	6	PP080202	Plastic Insert 1.19 Dia. x 11 G
38	2	PP080204	Plastic Cap .625 ID. x .68 OD
39	6	PP090210	Plastic Insert 2.00 Sq x 10-14 G
40	1	PU060200	Bumper
41	2	FB030220	Machinery Bushing
42			Removed
43	4	PN660201	Hole Plug
44	1	01892	Bracket
45	2	PU060201	Bumper
46	2	JC782834	SHCS .50-13 x 3.00
47	2	HC620430	BHSCS .25-20 x 2.50
48	4	HN624100	Hex Nut .25-20
49	4	PR069400	Recess Bumper
50	1	01155	Pivot Tube
51	1	01692	Threaded Insert
52	2	JC700422	BHSCS .375-16 x 1.50
53	2	PP090210	Plastic Insert 2.00 SQ x 10-14 G
54	2	HC781230	HHCS .50-13 x 2.50
55	3	HS387500	Washer .50
56	2	5315-343	Attaching Tab
57	4	HN784900	Nylon Locknut .50-13
58	6	HC700414	BHSCS .375-16 x .62
59			Removed
60	1	01667	Handrail
61	1	5315-201	Cross Tube
62	2	PP090205	Plastic Insert 1.0 x 2.0 x 11 G
63	1	5315-204	Top Tube
64	1	5315-206	Mounting Bracket

ITEM	QTY	PART NO.	DESCRIPTION
65	1	5315-210	Gusset Bracket
66	1	5315-211	Cable Aubassembly
67	3	HS308300	Split Lockwasher .25
68	3	JC620415	BHSCS .25-20 x .75
69	2	01053	Pulley Clevis Adapter
70	1	4113M041	Start Detent Pin
71	1	5315-207	Lower Arm
72	1	5315-208	Pulley Tab
73	1	5315-209	Mounting Bracket
74	1	BH030205	Quick Release Pin .375 x 2.00
75	1	BS070201	Spring .56 ID x .66 OD x 1.50 L
76	1	HN704400	Jam Nut .375-16
77			Removed
78	1	JC780938	FHSCS .50-13 x 3.50
79	1	JD403332	S/Bolt .625 x 2.75 .50-13
80	1	PP090000	Plastic Insert 1.5 x 2.0 x 11 G
81	1	PP460200	Plastic Knob .312-18
82			Removed
83	2	5315-214	Base
84	1	5315-205	Short Top Tube
85	2	1670M115	Handrail Grip
86	2	5310P044	Weight Selector Pin
87	1	4301C096	Half Weight 3 x 12
88	1	02106	Half Weight Peg
89	2	01066	Plastic Fastener
90	1	01691	Handle Lock
91	1	01159	Placard Decal
92	1	4800-381	General Warning Decal
93	1	02521	Warning Decal
94	1	4000Y316	Caution Decal
95	1	3900-378	Cybex Decal 11.37 Vert Wht/Plm
95	1	3900-391	Cybex Decal 11.37 Vert Blk/Plm
95	1	3900-419	Cybex Decal 11.37 Vert Wht/Wht
96	1	4800-515	Weight Plate Decal
97	1	5208M046	Foam Grip 12.75
98	1	GQ000206	Snap Link
99	1	02024	Column
100	1	55315	Cable Column Instruction Sheet
101	1	01475	Top Weight Assembly
102	2	4700-019	Flange Bearing
103	2	BR030206	Retaining Ring
104	1	HP286819	Spiral Pin
105	14	4700C089	Stack Weight 3 x 12 (not shown)
106	1	4700M005	Rubber Cap (not shown)
107	2	HS760106	Flat Washer 1.75 OD .69 ID .14T
108	1	5310S040	Handle Subassembly (not shown)
109	1	02203	Straight Handle (not shown)
110	1	51121	Thigh Strap (not shown)
111	1	51122	Ankle Strap (not shown)
112	1	51073	Hip Harness (not shown)
113	1	5315-003	Pulldown Bar (not shown)
114	1	01255	Handle Subassembly (not shown)

**NOTE:** This machine shipped with an Owner's Manual. Additional copies can be obtained by contacting your dealer or a Cybex Representative at 1-888-462-9239.

### Assembly Notes

1. Keep all shipping packages near area of installation. Standard items include:
  - Cable Column Assembly - 5315A001-9X
  - Cable Column Package - 5315-50
  - Cable Column Upper Arm Kit - 5315K002 (if applicable)
  - Cable Column Lower Arm Kit - 5315K003 (if applicable)
  - Top Weight Package (15.3 x 12, black) - 01475
  - Weight Pack 1 (3 x 12, black) - 4700S110

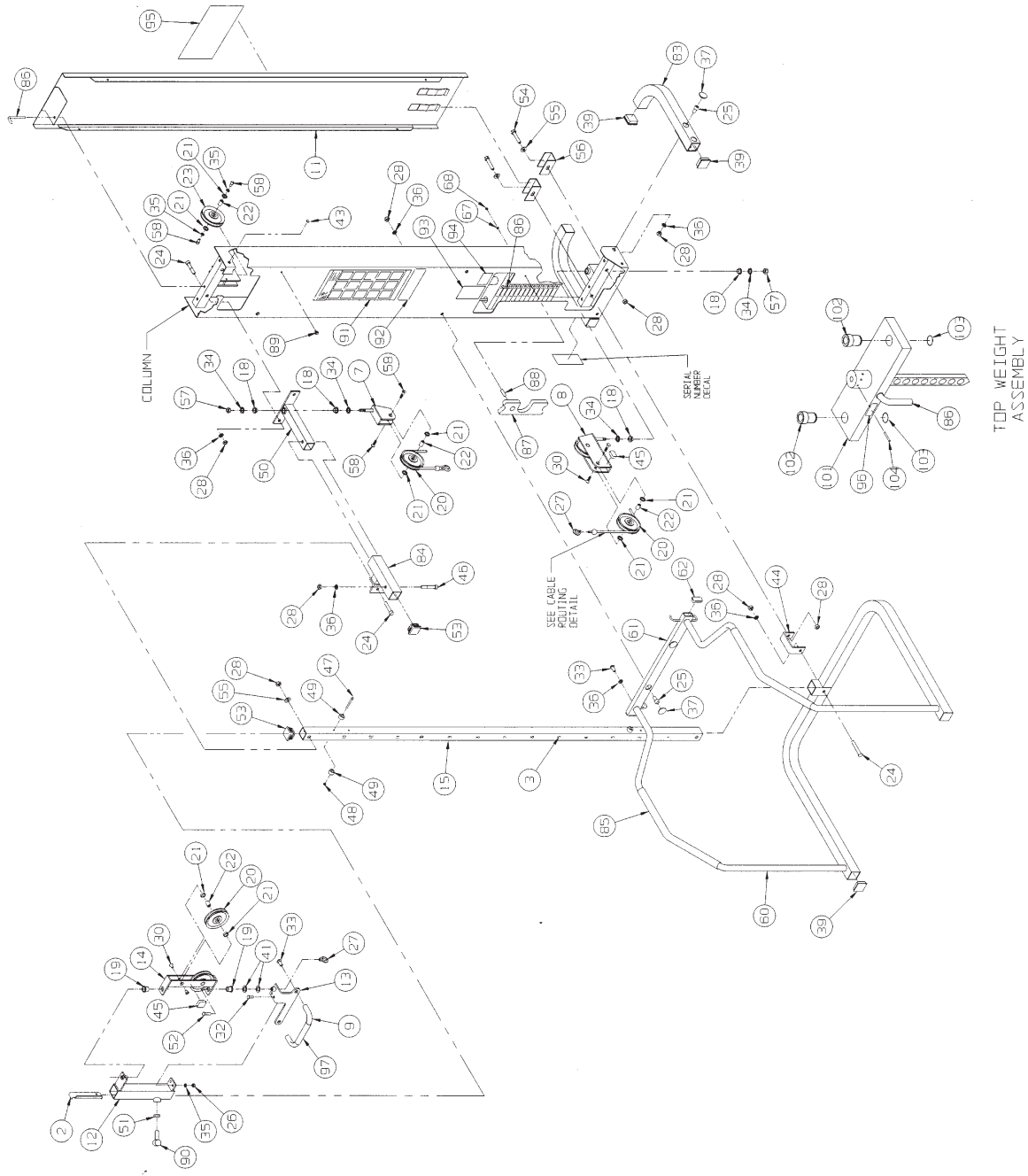
**NOTE:** x denotes specific color.

**NOTE:** Refer to the exploded-view assembly diagram when performing steps listed below.

2. Attach handrail to column.
3. Install lower pulley bracket (item 8). Install upper pivot tube (item 50) and upper pulley mount (item 7).
4. Install Upper Boom. See Cable Column With Booms diagram, located on this instruction sheet and Upper Boom instructions, supplied with Upper Boom kit.

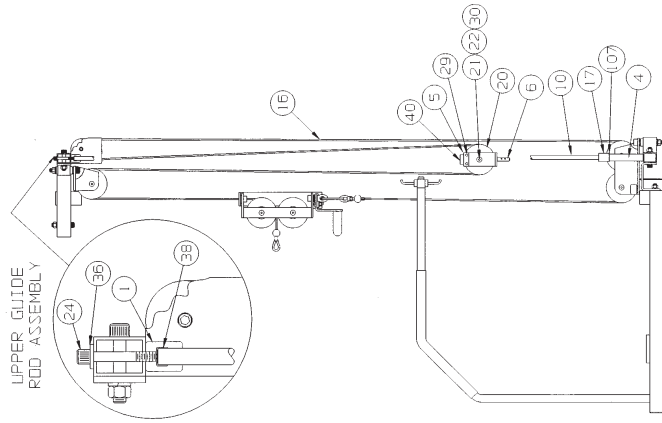
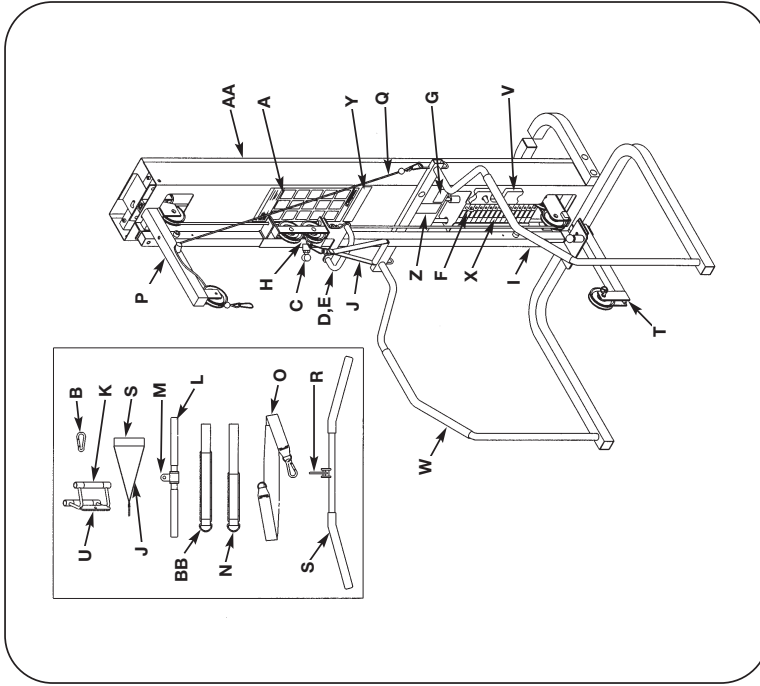
**NOTE:** if not installing Upper Boom, then install short top tube (item #84).

5. Set chrome tube into hand rail assembly. Fasten upper portion finger tight.
6. Install Lower Boom if applicable. See Cable Column With Booms diagram, located on this instruction sheet and lower boom instructions supplied with Lower Boom kit.
7. Attach lower portion of hand rail to column.
8. Route cable. **NOTE:** Be sure to insert cable through brass bushing. See Cable Routing Detail.
9. Install weight stack.
10. Install base stabilizers (item #83).



# CABLE COLUMN

5315 (WITHOUT BOOMS) AND 5316 (WITH BOOMS) ASSEMBLY & PARTS



5315 CABLE ROUTING DETAIL

5316 CABLE ROUTING DETAIL

DESCRIPTION	PART NO.	DESCRIPTION	PART NO.
A. Placard Decal	01159	P. Upper Boom Kit	5315K002
B. Snap Link	GQ000206	Q. Cable Subassembly	5315-211
C. Handle Subassembly	01072	R. Pulldown Bar	5315-003
D. Ballet Bar	5315-307	S. Hand Grip	PR40020
E. Foam Grip	5208M046	T. Lower Boom Kit	5315K003
F. Weight Selector Pin	5310P044	U. Handle Subassembly	01255
G. Caution Decal	4000Y316	V. Half Weight	4301C096
H. Cable Subassembly	5315S028	W. Foam Grip	1670M115
I. Serial Number Decal		X. Weight Plate Decal	4800-515
J. Handle Subassembly	5310S040	Y. General Warning Decal	4800-381
K. Foam Grip	5310M042	Z. Warning Decal	02521
L. Foam Grip	4055M028	AA. Cybex Decal Wht/Plm	3900-378
M. Straight Handle	02203	AB. Cybex Decal Blk/Plm	3900-391
N. Ankle Strap	51122	AC. Cybex Decal Wht/Wht	3900-419
O. Hip Harness	51073	BB. Thigh Strap	51121



10 Trotter Drive Medway, MA 02053 • 508-533-4300 • FAX 508-533-5183 • www.cybexinternational.com • Techhelp@cybexintl.com  
 Copyright © 2002, 2007 CYBEX International, Inc. All rights reserved • 55315 RevA • August 2007